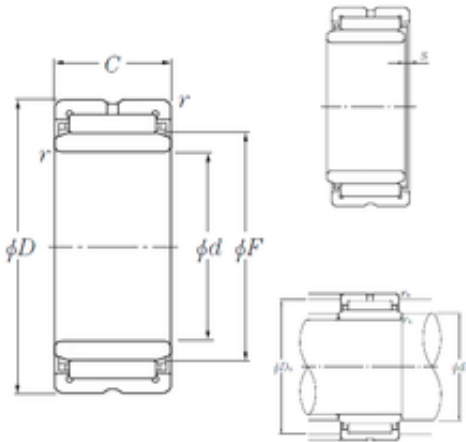




KIA Roller Industry Co.,Ltd

NTN NA4976 needle roller bearings

Bearing No. NA4976



NA4976 Bearing 2D drawings and 3D CAD models

Size	380x520x140 mm
Bore Diameter	380 mm
Outer Diameter	520 mm
Width	140 mm
d	380 mm
F	430 mm
D	520 mm
B	140 mm
C	140 mm
r min.	4 mm
s	2 mm
da min.	396 mm
Da max.	504 mm
ra max.	3 mm
Weight	73,6 Kg
Basic dynamic load rating (C)	1400 kN
Basic static load rating (C0)	3750 kN
(Grease) Lubrication Speed	650 r/min