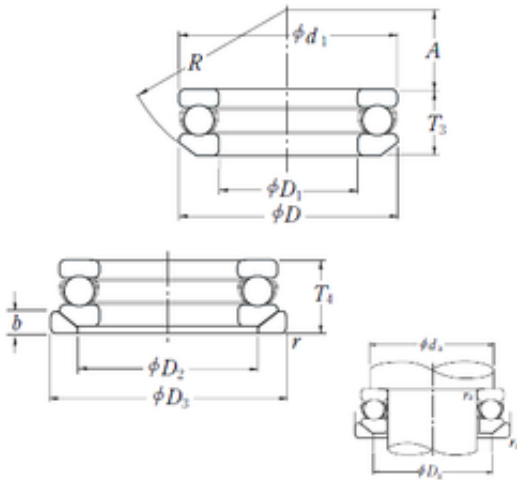




# KIA Roller Industry Co.,Ltd

## NSK 53205U thrust ball bearings

Bearing No. 53205U



53205U Bearing 2D drawings and 3D CAD models

Size	25x47x19 mm
Bore Diameter	25 mm
Outer Diameter	47 mm
Width	19 mm
d	25 mm
D	47 mm
T	19 mm
b	5,5 mm
d1	47 mm
r min.	0,6 mm
A	19 mm
D1	27 mm
D2	36 mm
D3	50 mm
R	40 mm
da min.	38 mm
Da max.	34 mm
ra max.	0,6 mm
Weight	0,151 Kg
Basic dynamic load rating (C)	28 kN
Basic static load rating (C0)	50,5 kN
(Grease) Lubrication Speed	3800 r/min
SRI	4.3
hidYobi	53205U
LangID	1
D_	47



## KIA Roller Industry Co.,Ltd

SREX	0.04
C	28
B_	19
hidTable	ecat_NSSDTB
Oil rpm	5600
SRE	4.3
mass	0.151
GRS rpm	3800
ra	0.6
SRIX	0.04
T4	19
D_3	50
D_a	34
SRIN	0
C0	50.5
D_2	36
SREN	0
D_1	27
Prod_Type3	TB_SD_WASW
da	38
DA_	7.938
Z_	13
yobi	53205U
A_	19
T3	16.7
SDM_	36
r	0.6
KBRG	5131
R_	40