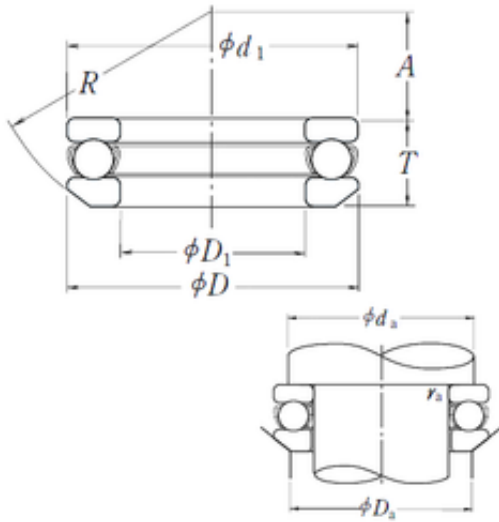




KIA Roller Industry Co.,Ltd



NSK 53205 thrust ball bearings

Bearing No. 53205

Size	25x47x16.7 mm
Bore Diameter	25 mm
Outer Diameter	47 mm
Width	16,7 mm
d	25 mm
D	47 mm
T	16,7 mm
d1	47 mm
r min.	0,6 mm
A	19 mm
D1	27 mm
R	40 mm
da min.	38 mm
Da max.	34 mm
ra max.	0,6 mm
Weight	0,123 Kg
Basic dynamic load rating (C)	28 kN
Basic static load rating (C0)	50,5 kN
(Grease) Lubrication Speed	3800 r/min
Category	Thrust Ball Bearing
Inventory	0.0
Manufacturer Name	NSK
Minimum Buy Quantity	N/A
Weight / Kilogram	0.15
Product Group	B00308
Rolling Element	Ball Bearing

53205 Bearing 2D drawings and 3D CAD models



KIA Roller Industry Co.,Ltd

Thrust Bearing	Yes
Single or Double Direction	Single Direction
Banded	No
Cage Material	Steel
Precision Class	Non-Precision
Component Description	Roller Assembly Plus Raceways
Other Features	Single Row With Aligning Seat
Long Description	25MM Bore 1; 27MM Bore 2; 47MM Outside Diameter; 17MM Height; Ball Bearing; Single Direction; Not Banded; Steel Cage; Non-Precision
Inch - Metric	Metric
Category	Thrust Ball Bearings
UNSPSC	31171552
Harmonized Tariff Code	8482.10.50.08
Noun	Bearing
Keyword String	Ball Thrust
Manufacturer URL	http://www.nskamericas.com
Manufacturer Item Number	53205
Weight / LBS	0.27117
Overall Height with Aligning Washer	0 Inch 0 Millimeter
Outside Diameter	1.85 Inch 47 Millimeter
Bore 2	1.063 Inch 27 Millimeter
Bore 1	0.984 Inch 25 Millimeter
Height	0.669 Inch 17 Millimeter
bore diameter:	25 mm
static load capacity:	5150 kg
outside diameter:	47 mm
dynamic load capacity:	2860 kg



KIA Roller Industry Co.,Ltd

overall width:	16.7 mm
operating temperature range:	Maximum of +120 ° C
thrust bearing type:	Single-Direction
maximum rpm:	5600 RPM
outside diameter design:	Sphered
cage material:	Steel
separable or banded:	Separable
fillet radius:	0.6 mm
race type:	Grooved
series:	532
precision rating:	ABEC 1 (ISO Class Normal)
SRI	4.3
hidYobi	53205
LangID	1
D_	47
SREX	0.04
C	28
B_	16.7
hidTable	ecat_NSSDTB
Oil rpm	5600
SRE	4.3
mass	0.123
GRS rpm	3800
ra	0.6
SRIX	0.04
D_a	34
SRIN	0
C0	50.5
SREN	0
D_1	27
Prod_Type3	TB_SD_WAS



KIA Roller Industry Co.,Ltd

da	38
DA_	7.938
Z_	13
yobi	53205
A_	19
T3	16.7
SDM_	36
r	0.6
KBRG	5121
R_	40