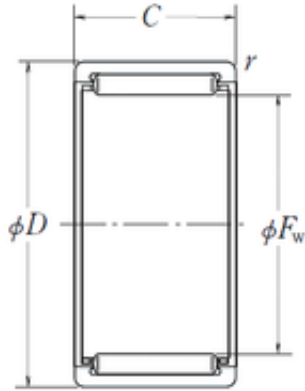




KIA Roller Industry Co.,Ltd

NSK RLM912 needle roller bearings



Bearing No. RLM912

Size	9x16x12 mm
Bore Diameter	9 mm
Outer Diameter	16 mm
Width	12 mm
Fw	9 mm
D	16 mm
C	12 mm
r min.	0,3 mm
Weight	0,009 Kg
Basic dynamic load rating (C)	6,15 kN
Basic static load rating (C0)	5,4 kN
(Grease) Lubrication Speed	24000 r/min
hidYobi	RLM912
LangID	1
D_	16
B_	12
hidTable	ecat_NSMRNR
GRS rpm	24000
ra	0.3
C0	5.4
C1_	12
DE_	14
SLR	8.8
Prod_Type3	NRB_S_RLM
d	9
DA_	2.5

RLM912 Bearing 2D drawings and 3D CAD models



KIA Roller Industry Co.,Ltd

Z_	8
SI	0
yobi	RLM912
da_max	14
OIL rpm	40000
SDM_	11.5
r	0.3
KBRG	8312
mass1	0.009