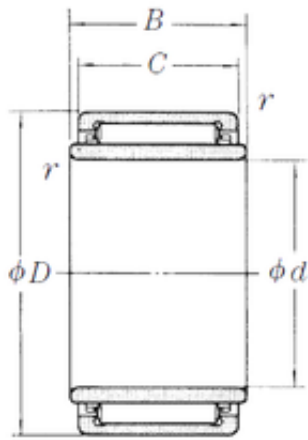




# KIA Roller Industry Co.,Ltd

## NSK LM4025 needle roller bearings



Bearing No. LM4025

Size	35x50x25.3 mm
Bore Diameter	35 mm
Outer Diameter	50 mm
Width	25,3 mm
d	35 mm
Fw	40 mm
D	50 mm
B	25,3 mm
C	25 mm
r min.	0,6 mm
Weight	0,155 Kg
Basic dynamic load rating (C)	36 kN
Basic static load rating (C0)	62,5 kN

LM4025 Bearing 2D drawings and 3D CAD models