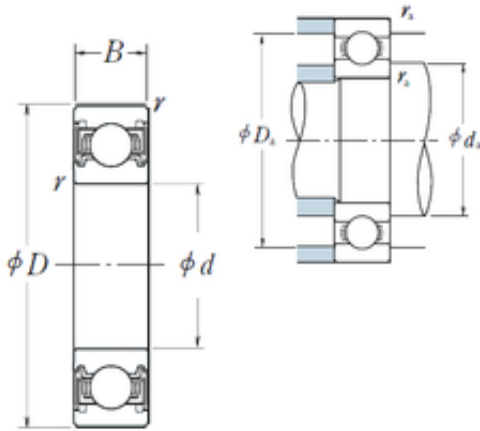




# KIA Roller Industry Co.,Ltd



## NSK 6806VV deep groove ball bearings

Bearing No. 6806VV

Size	30x42x7 mm
Bore Diameter	30 mm
Outer Diameter	42 mm
Width	7 mm
d	30 mm
D	42 mm
B	7 mm
C	7 mm
r min.	0,3 mm
da min.	32 mm
da max	32 mm
Da max.	40 mm
ra max.	0,3 mm
Weight	0,024 Kg
Basic dynamic load rating (C)	4,7 kN
Basic static load rating (C0)	3,65 kN
(Grease) Lubrication Speed	15 000 r/min
Category	Single Row Ball Bearings
Inventory	0.0
Manufacturer Name	NSK
Minimum Buy Quantity	N/A
Weight / Kilogram	0.01
Product Group	B00308
Enclosure	2 Seals
Precision Class	ABEC 1   ISO P0
Maximum Capacity / Filling	No

6806VV Bearing 2D drawings and 3D CAD models



## KIA Roller Industry Co.,Ltd

Slot	
Rolling Element	Ball Bearing
Snap Ring	No
Internal Special Features	No
Cage Material	Steel
Enclosure Type	Non-Contact Seal
Internal Clearance	C0-Medium
Inch - Metric	Metric
Long Description	30MM Bore; 42MM Outside Diameter; 7MM Outer Race Diameter; 2 Seals; Ball Bearing; ABEC 1   ISO P0; No Filling Slot; No Snap Ring; No Internal Special Features
Category	Single Row Ball Bearing
UNSPSC	31171504
Harmonized Tariff Code	8482.10.50.68
Noun	Bearing
Keyword String	Ball
Manufacturer URL	<a href="http://www.nskamericas.com">http://www.nskamericas.com</a>
Manufacturer Item Number	6806VV
Weight / LBS	0.025
Bore	1.181 Inch   30 Millimeter
Outer Race Width	0.276 Inch   7 Millimeter
Outside Diameter	1.654 Inch   42 Millimeter
bore diameter:	30 mm
dynamic load capacity:	1060 lbs
outside diameter:	42 mm
static load capacity:	815 lbs
overall width:	7 mm
bearing material:	Steel
bore type:	Round



## KIA Roller Industry Co.,Ltd

maximum rpm (grease):	15000 rpm
closure type:	Two Non-Contact Seals
maximum rpm (oil):	18000 rpm
row type & fill slot:	Single Row Non-Fill Slot
manufacturer catalog:	<a href="#">Click here</a>
snap ring included:	Without Snap Ring
manufacturer upc number:	029176029851
internal clearance:	C0
SRI	1.81
hidYobi	6806VV
LangID	1
D_	42
SREX	0.015
B_	7
da min	32
hidTable	ecat_NSRDGB
SRE	1.81
mass	0.024
GRS rpm	15000
ra	0.3
SRIX	0.015
D_a	40
SRIN	-0.015
C0	3.65
fo	16.4
SREN	-0.015
DE_	39.3
Prod_Type3	DGBB_SR_VV
DA_	3.5
bomp	0
Z_	18
yobi	6806VV



## KIA Roller Industry Co.,Ltd

C_conv	4700
ALPHA_	0
SDM_	35.8
r	0.3
KBRG	6151
SBRG	18
DI_	32.3