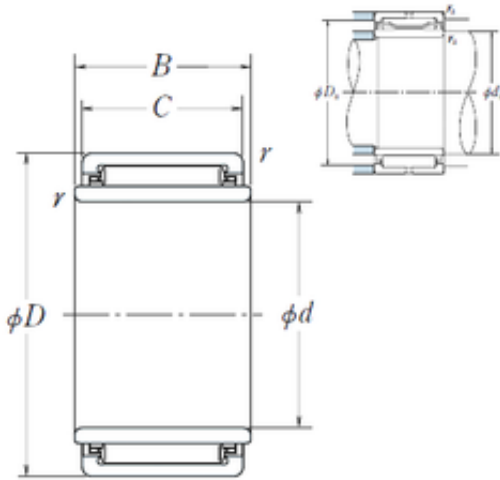




KIA Roller Industry Co.,Ltd

NSK LM506220 needle roller bearings

Bearing No. LM506220



LM506220 Bearing 2D drawings and 3D CAD models

Size	42x62x20.3 mm
Bore Diameter	42 mm
Outer Diameter	62 mm
Width	20,3 mm
d	42 mm
Fw	50 mm
D	62 mm
B	20,3 mm
C	20 mm
r min.	0,6 mm
da min.	46 mm
Da max.	58 mm
ra max.	0,6 mm
Weight	0,21 Kg
Basic dynamic load rating (C)	35,5 kN
Basic static load rating (C0)	60,5 kN
(Grease) Lubrication Speed	4300 r/min
hidYobi	LM506220
LangID	1
D_	62
B_	20.3
hidTable	ecat_NSMRNR
GRS rpm	4300
ra	0.6
da_min	46
d2	42



KIA Roller Industry Co.,Ltd

C0	60.5
C1_	20
DE_	58
SLR	15.8
Prod_Type3	NRB_S_LM
DA_	4
Z_	26
SI	50
yobi	LM506220
da_max	58
OIL rpm	7100
SDM_	54
r	0.6
KBRG	8352
mass2	0.21
B1	20.3