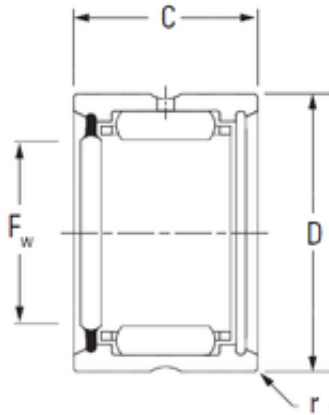




KIA Roller Industry Co.,Ltd

KOYO HJ-142216RS needle roller bearings



Bearing No. HJ-142216RS

HJ-142216RS Bearing 2D drawings and 3D CAD models

Size	22.225x34.925x25.4 mm
Bore Diameter	22,225 mm
Outer Diameter	34,925 mm
Width	25,4 mm
Fw	22,225 mm
D	34,925 mm
C	25,4 mm
r5 min.	1,02 mm
Weight	0,09 Kg
Basic dynamic load rating (C)	23 kN
Basic static load rating (C0)	27,9 kN
Category	Needle Non Thrust Roller Bearings
Inventory	0.0
Manufacturer Name	KOYO
Minimum Buy Quantity	N/A
Weight / Kilogram	0.09
EAN	0060579019070
Product Group	B04144
Rolling Element	Needle Roller Bearing
Component	Roller Assembly with Outer Ring - No Inner Ring
Enclosure	1 Seal
Self Aligning	No
Retainer	Yes
Number of Rows of Rollers	Single Row



KIA Roller Industry Co.,Ltd

Separable	No
Closed End	No
Inch - Metric	Inch
Relubricatable	Yes
Thrust Bearing	No
Long Description	7/8" Bore; 1-3/8" Outside Diameter; 1" Width; Needle Roller Bearing; Roller Assembly with Outer Ring - No Inner Ring; 1 Seal; Not Self Aligning; Retainer; Single Row of Rollers; Not Sep
Other Features	2 Rib Outer Ring Steel Cage Oil Hole
Category	Needle Non Thrust Roller Bearing
UNSPSC	31171512
Harmonized Tariff Code	8482.99.65.30
Noun	Roller Assembly with Outer Ring
Keyword String	Bearing Needle
Manufacturer URL	http://www.koyousa.com
Manufacturer Item Number	HJ-142216RS
Weight / LBS	0.19
Width	1 Inch 25.4 Millimeter
Outside Diameter	1.375 Inch 34.925 Millimeter
Bore	0.875 Inch 22.225 Millimeter