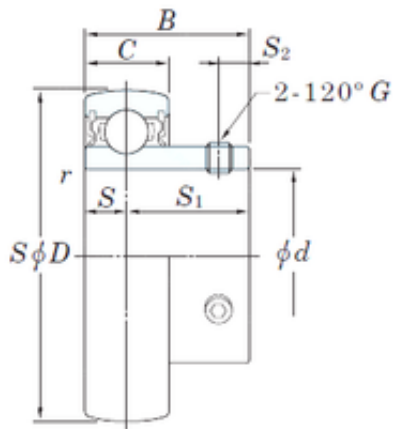




KIA Roller Industry Co.,Ltd

KOYO UC216 deep groove ball bearings



Bearing No. UC216

Size	80x140x82.6 mm
Bore Diameter	80 mm
Outer Diameter	140 mm
Width	82,6 mm
d	80 mm
D	140 mm
B	82,6 mm
C	33 mm
S1	49,3 mm
r min.	2 mm
S	33,3 mm
S2	14 mm
Thread (G)	M12 × 1,5
Weight	2,79 Kg
Basic dynamic load rating (C)	72,7 kN
Basic static load rating (C0)	53 kN

UC216 Bearing 2D drawings and 3D CAD models