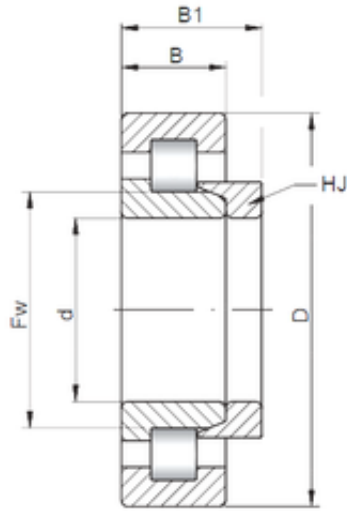




KIA Roller Industry Co.,Ltd



ISO NH211 cylindrical roller bearings

Bearing No. NH211

Size	55x100x21 mm
Bore Diameter	55 mm
Outer Diameter	100 mm
Width	21 mm
d	55 mm
D	100 mm
B	21 mm
C	21 mm
B1	6 mm
B2	9,5 mm

NH211 Bearing 2D drawings and 3D CAD models