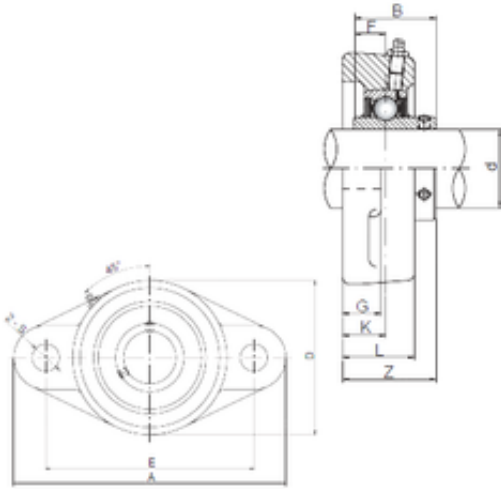




# KIA Roller Industry Co.,Ltd

## ISO UCFL309 bearing units

Bearing No. UCFL309



Bore Diameter	45 mm
d	45 mm
B	57 mm
Z	60 mm
A	230 mm
D	125 mm
E	177 mm
F	22 mm
G	18 mm
K	25 mm
L	44 mm
S	25 mm
Bolt (G)	M22

UCFL309 Bearing 2D drawings and 3D CAD models