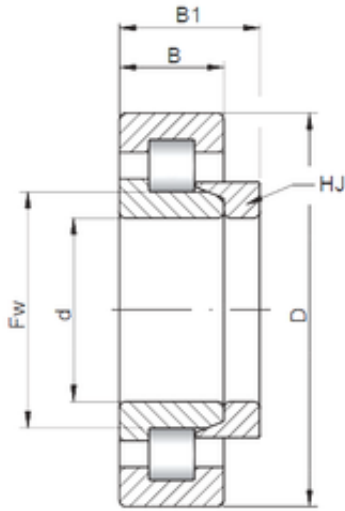




# KIA Roller Industry Co.,Ltd



## ISO NH2238 cylindrical roller bearings

Bearing No. NH2238

Size	190x340x92 mm
Bore Diameter	190 mm
Outer Diameter	340 mm
Width	92 mm
d	190 mm
D	340 mm
B	92 mm
C	92 mm
B1	13 mm
B2	26,5 mm

NH2238 Bearing 2D drawings and 3D CAD models